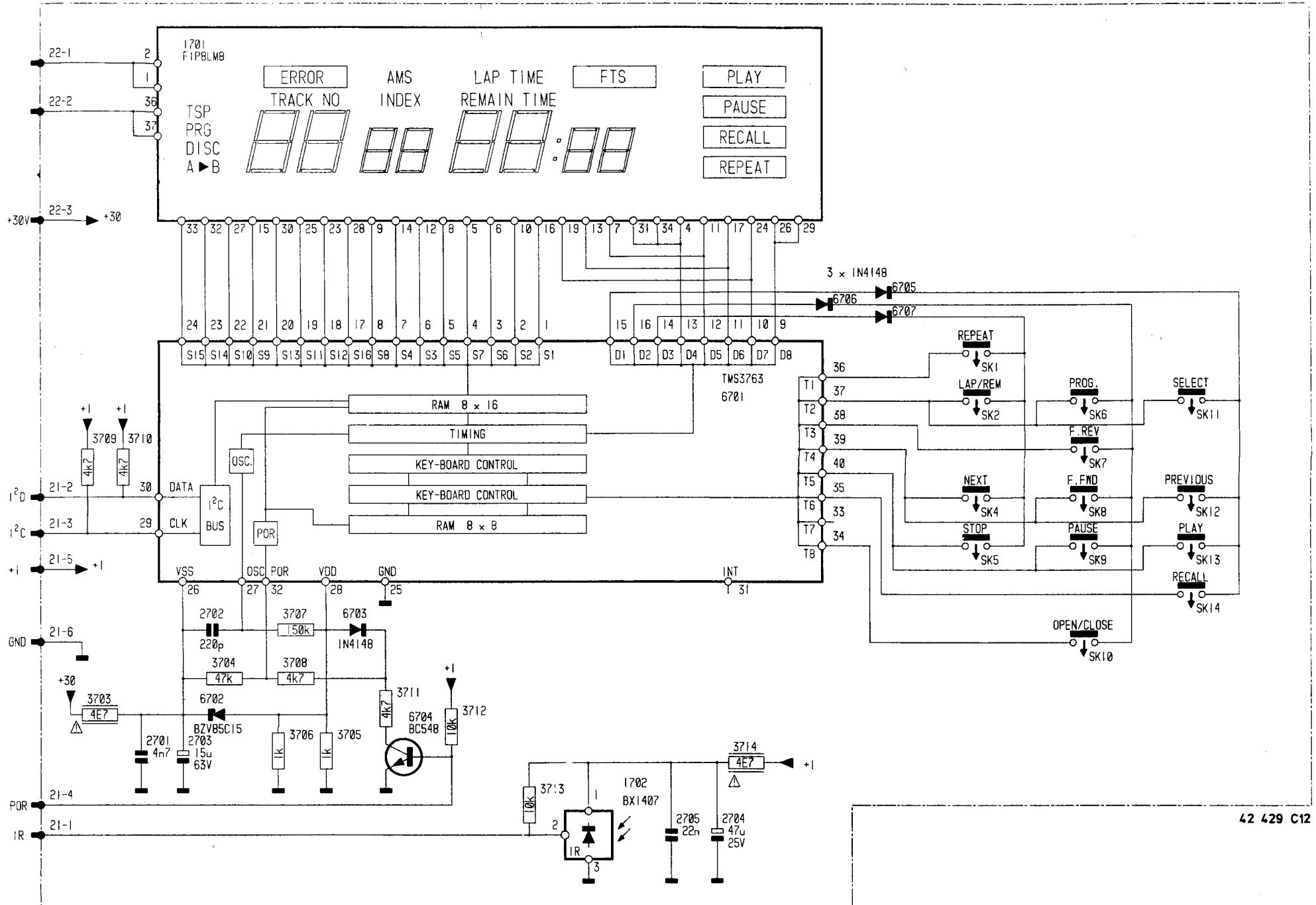
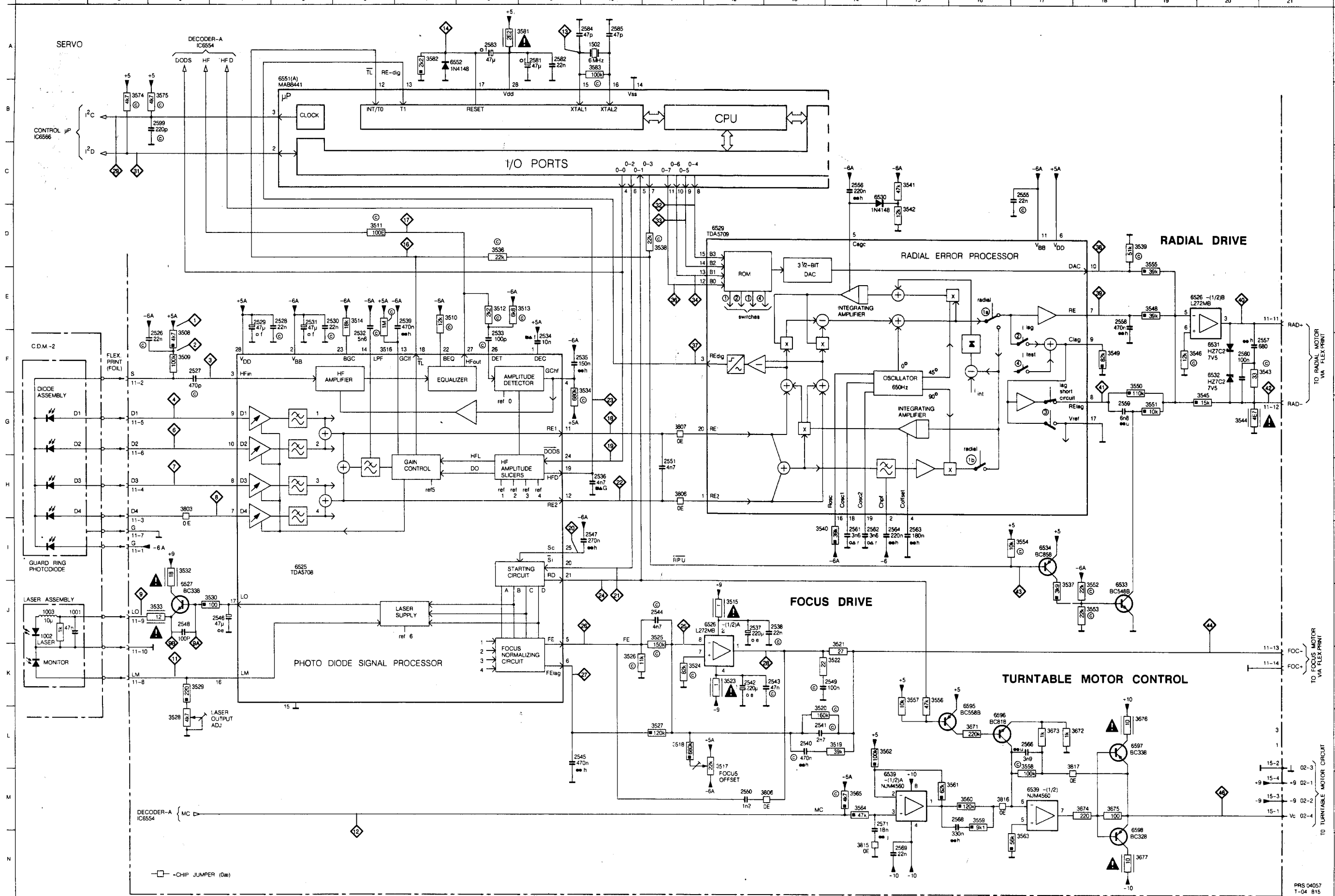


PRS 02906  
133/730

- |  |   |  |   |
|--|---|--|---|
| <p><b>B0-B3</b> - Control bits for radial circuit</p> <p><b>DAC</b> - Current output for track jumping (Digital to Analogue Converted)</p> <p><b>D0DS</b> - Drop out detector suppression</p> <p><b>D1+4</b> - Photodiode currents</p> <p><b>FE</b> - Focus error signal</p> <p><b>FE lag</b> - Focus error signal for LAG network</p> <p><b>HF</b> - HF output for DEMOD</p> <p><b>HFD</b> - HF detector output for DEMOD</p> <p><b>HF-in</b> - HF current input</p> <p><b>LM</b> - Laser monitor diode input</p> <p><b>LO</b> - Laser amplifier current output</p> <p><b>MC</b> - Motor control signal</p> <p><b>RE</b> - Radial error signal (amplified RE<sub>2</sub>-RE<sub>1</sub> currents)</p> | <p><b>RE1</b> - Radial error signal 1 (summation of amplified currents D<sub>3</sub> and D<sub>4</sub>)</p> <p><b>RE2</b> - Radial error signal 2 (summation of amplified currents D<sub>1</sub> and D<sub>2</sub>)</p> <p><b>RE dig</b> - Radial error digital</p> <p><b>RE lag</b> - Radial error signal for LAG network</p> <p><b>RD</b> - Ready signal, starting up procedure finished</p> <p><b>RPU</b> - Radial puls after track jumping</p> <p><b>Si</b> - On/off control for laser supply and focus circuit</p> <p><b>TL</b> - Track loss signal</p> <p><b>Vc</b> - Control voltage for turntable motor</p> | <p><b>ATSB</b> - Attenuation of Audio level in Search position (Cueing)</p> <p><b>CD ROM Switch</b> - Digital Data information on disc signal</p> <p><b>CEFM</b> - Clock Eight-to-Fourteen Modulator</p> <p><b>CLAB</b> - Clock signal Decoder-A to Filter-B</p> <p><b>CLBD</b> - Clock signal Filter-B to DAC</p> <p><b>CRI</b> - Counter Reset Inhibit</p> <p><b>DAAB</b> - Data signal Decoder-A to Filter-B</p> <p><b>DABD</b> - Data signal Decoder-B to DAC</p> <p><b>DEEM</b> - Deemphasis</p> <p><b>DOBM</b> - Digital out signal</p> <p><b>EFAB</b> - Error flag Decoder-A to Filter-B</p> <p><b>IREF</b> - Reference Current</p> <p><b>MSTP</b> - Motor start-stop signal</p> <p><b>MUTE</b> - Mute signal</p> | <p><b>MUSB</b> - Soft_Mute signal</p> <p><b>PD/OC</b> - Phase detector - oscillator control</p> <p><b>QCL</b> - Q-channel Clock signal</p> <p><b>QDA</b> - Q-channel Data signal</p> <p><b>QRA</b> - Q-channel Request Acknowledge</p> <p><b>SCAB</b> - Subcode clock Decoder-A to Filter-B</p> <p><b>SCLK-I<sup>2</sup>C</b> - Serial Clock signal Decoder-Control μP (Inter IC Connection)</p> <p><b>SDAB</b> - Subcode data Decoder-A to Filter-B</p> <p><b>SDAT-I<sup>2</sup>D</b> - Serial Data Signal Decoder-Control μP (Inter IC Connection)</p> <p><b>SWAB/SSM</b> - Subcode Word/Start-stop motor signal</p> <p><b>WSAB</b> - Word Select Decoder-A to Filter-B</p> <p><b>WSBD</b> - Word Select Filter-B to DAC</p> <p><b>XIN</b> - Oscillator signal in Decoder-A</p> <p><b>XSYS</b> - Oscillator signal out Filter-B</p> |
|--|---|--|---|

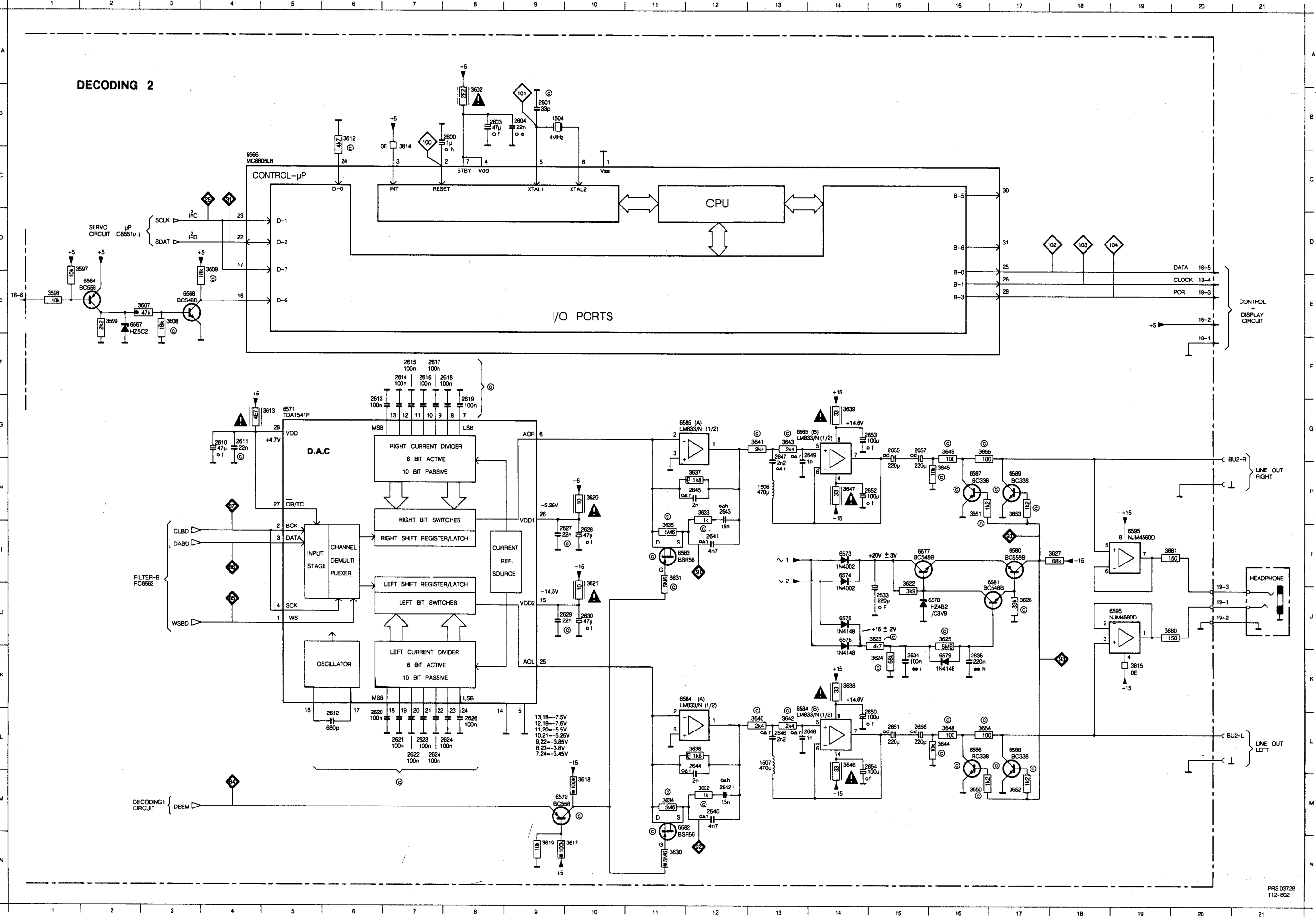


1001	J 1	2528	E 5	2534	F 9	2540	L13	2546	J 4	2555	C17	2561	I14	2569	N15	2585	A10	3512	E 8	3518	L11	3524	K11	3530	J 4	3538	D11	3544	G20	3551	G19	3557	K15	3563	N17	3582	A 7	3675	M18	3807	G11	6526	J12	6533	J18	6585	K16
1002	J 1	2529	E 4	2535	F10	2541	L13	2547	I10	2556	C14	2562	I14	2571	M14	2599	B 3	3513	E 9	3519	L14	3525	J11	3532	I 3	3539	D19	3545	G20	3552	J18	3558	L17	3564	M14	3583	A10	3676	L19	3815	N14	6527	J 3	6534	I17	6586	L16
1003	J 1	2530	E 6	2536	H10	2542	K12	2548	J 3	2557	F21	2563	I15	2581	A 9	3508	F 3	3514	E 6	3520	L13	3526	K10	3533	J 3	3540	I13	3546	F20	3553	J18	3559	M16	3565	M14	3671	L16	3677	N19	3816	M16	6529	C12	6539	M17	6597	L19
1502	A10	2531	E 9	2537	J12	2543	K13	2549	K14	2558	E18	2564	I15	2582	A 9	3509	F 3	3515	J12	3521	J14	3527	L11	3534	F10	3541	C15	3548	E19	3554	I17	3560	M16	3574	B 2	3672	L18	3803	H 3	3817	L17	6530	C14	6539	M15	6598	M19
2526	F 3	2532	F 6	2538	J13	2544	J11	2550	M12	2559	G18	2566	L17	2583	A 8	3510	E 7	3516	F 6	3522	K14	3528	L 3	3536	D 9	3542	D15	3549	F18	3555	D18	3561	M16	3575	B 3	3673	L17	3806	H11	6525	I 5	6531	F20	6551	A 5		
2527	F 3	2533	F 8	2539	E 7	2545	L 9	2551	H11	2560	F20	2568	M16	2584	A10	3511	D 6	3517	L12	3523	K12	3529	K 3	3537	J17	3543	F21	3550	F19	3556	K15	3562	L15	3581	A 9	3674	M18	3806	M13	6526	E20	6532	F20	6552	A 8		

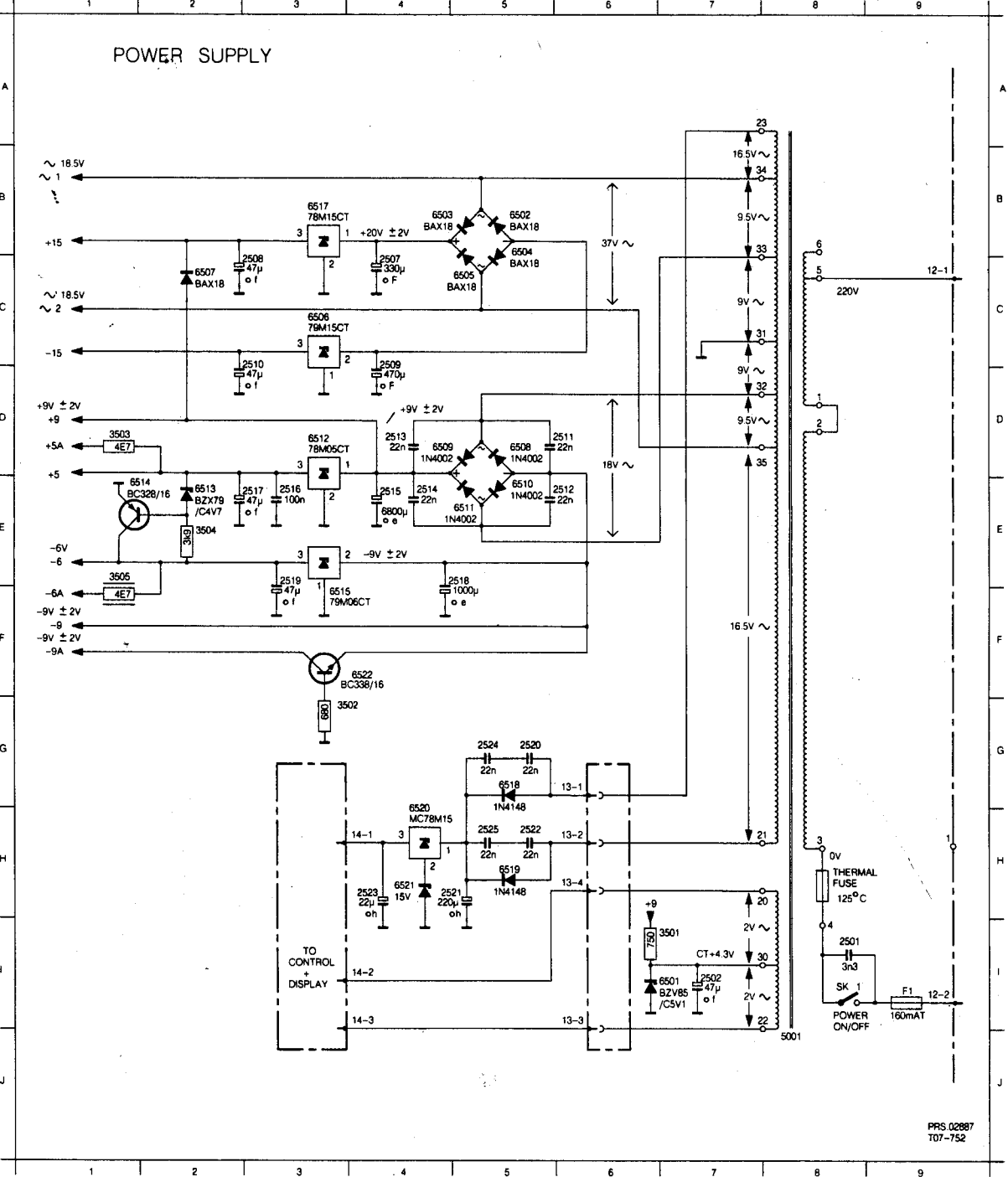




1504	B 9	2603	B 8	2613	G 6	2618	F 8	2623	L 7	2628	I 10	2635	K 16	2644	L 12	2649	G 14	2654	L 15	3598	E 1	3609	D 4	3619	N 9	3624	K 15	3631	I 11	3636	L 12	3641	G 13	3646	L 14	3651	H 16	3660	J 20	6566	C 4	6573	I 14	6578	J 16	6583	I 12	6586	L 16	6595	J 19			
1507	L 13	2604	B 9	2614	F 7	2619	G 8	2624	L 7	2629	J 10	2640	M 12	2645	H 12	2650	L 15	2655	G 15	3599	E 2	3612	B 6	3620	H 10	3625	J 16	3632	M 12	3637	H 12	3642	L 13	3647	H 14	3652	M 17	3661	I 20	6567	E 2	6574	I 14	6579	K 16	6584	K 13	6587	H 16					
1508	H 13	2610	G 4	2615	F 7	2620	L 6	2624	L 8	2630	J 10	2641	I 12	2646	L 13	2651	L 15	2656	L 15	3602	B 8	3613	G 5	3621	I 10	3626	J 17	3633	H 12	3638	K 14	3643	G 13	3648	L 16	3653	H 17	3661	B 7	6568	E 3	6575	J 14	6580	I 17	6584	K 12	6588	L 17					
2600	B 8	2611	G 4	2616	F 7	2621	L 7	2626	L 8	2633	J 15	2642	M 12	2647	G 13	2652	H 15	2657	G 15	3607	E 3	3617	M 10	3622	I 15	3627	I 18	3634	M 11	3639	G 14	3644	L 16	3649	G 16	3654	L 16	3661	K 19	6571	G 5	6576	J 14	6581	I 17	6585	G 13	6589	H 17					
2601	B 9	2612	L 6	2617	F 7	2622	L 7	2627	I 10	2634	K 15	2643	H 12	2648	L 14	2653	G 15	3597	D 2	3608	E 3	3618	M 10	3623	J 15	3630	N 11	3635	I 11	3640	L 13	3645	H 16	3650	M 16	3655	G 16	6564	E 2	6572	M 9	6577	I 15	6582	M 12	6585	G 12	6589	I 19					



2501	I 8	2509	C 4	2513	D 4	2517	E 3	2521	H 5	2525	H 5	3504	E 2	6502	B 5	6506	C 3	6510	E 5	6514	E 2	6519	H 5	F 1	I 9
2502	I 7	2510	C 3	2514	E 4	2518	E 5	2522	H 5	3501	I 7	3505	E 1	6503	B 4	6507	C 2	6511	E 5	6515	F 3	6520	G 4	SK 1	I 8
2507	C 4	2511	D 6	2515	E 4	2519	E 3	2523	H 4	3502	G 4	5001	J 8	6504	B 5	6508	D 5	6512	D 3	6517	B 3	6521	H 4		
2508	C 3	2512	E 6	2516	E 3	2520	G 5	2524	G 5	3503	D 1	6501	I 7	6505	C 5	6509	D 4	6513	E 2	6518	G 5	6522	F 4		



PRS 02887  
T07-752